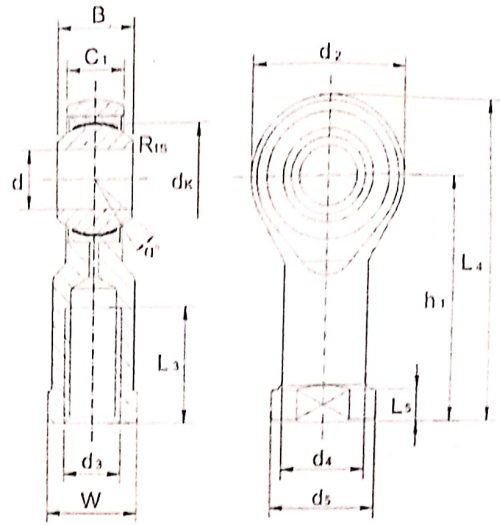
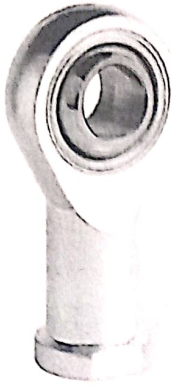


P/E

# 杆端关节轴承SI..T/K

DONGZHOU COMPANY

Rod Ends SI..T/K  
Maintenance-free



杆端关节轴承 Rod Ends

型号 Part No.	尺寸 mm Dimensions											负荷KN Load ratings		重量KG Weight			
	d	d <sub>3</sub> GH	B	C <sub>1</sub>	W	h <sub>1</sub>	d <sub>2</sub>	L <sub>1</sub>	L <sub>5</sub>	d <sub>1</sub>	d <sub>5</sub>	d <sub>4</sub>	L <sub>3</sub>		Q	动dyn C	静stat C <sub>1</sub>
SI 5 T/K	5	M5×0.8	8	6	9	27	18	36	4	8.5	11	11.11	10	13	5.70	6.00	0.016
SI 6 T/K	6	M6×1.0	9	6.75	11	30	20	40	5	10	13	12.70	12	13	7.20	7.65	0.022
SI 8 T/K	8	M8×1.25	12	9	14	36	24	48	5	12.5	16	15.875	16	14	11.6	12.9	0.047
SI 10 T/K	10	M10×1.5	14	10.5	17	43	28	57	6.5	15	19	19.05	20	13	14.5	18.0	0.077
SI 10 T/KFG	10	M10×1.25	14	10.5	17	43	28	57	6.5	15	19	19.05	20	13	14.5	18.0	0.077
SI 12 T/K	12	M12×1.75	16	12	19	50	32	66	6.5	17.5	22	22.225	22	13	17.0	24.0	0.100
SI 12 T/KFG	12	M12×1.25	16	12	19	50	32	66	6.5	17.5	22	22.225	22	13	17.0	24.0	0.100
SI 14 T/K	14	M14×2.0	19	13.5	22	57	36	75	8	20	25	25.40	25	16	24.0	31.0	0.160
SI 14 T/KFG	14	M14×1.5	19	13.5	22	57	36	75	8	20	25	25.40	25	16	24.0	31.0	0.160
SI 16 T/K	16	M16×2.0	21	15	22	64	42	85	8	22	27	28.575	28	15	28.5	39.0	0.220
SI 16 T/KFG	16	M16×1.5	21	15	22	64	42	85	8	22	27	28.575	28	15	28.5	39.0	0.220
SI 18 T/K	18	M18×2.5	23	16.5	27	71	44	93	10	25	31	31.75	32	15	42.5	47.5	0.320
SI 18 T/KFG	18	M18×1.5	23	16.5	27	71	44	93	10	25	31	31.75	32	15	42.5	47.5	0.320
SI 20 T/K	20	M20×2.5	25	18	30	77	50	102	10	27.5	34	34.925	33	14	42.5	57.0	0.420
SI 20 T/KFG	20	M20×1.5	25	18	30	77	50	102	10	27.5	34	34.925	33	14	42.5	57.0	0.420
SI 22 T/KFG	22	M22×1.5	28	20	32	84	54	111	12	30	38	38.10	37	15	57.0	68.0	0.540
SI 25 T/KFG	25	M24×2.0	31	22	36	94	60	124	12	33.5	42	42.85	42	15	68.0	85.0	0.720
SI 28 T/KFG	28	M27×2.0	35	24	41	103	66	136	14	37	46	47.60	51	15	86.0	107.0	0.820
SI 30 T/KFG	30	M30×2.0	37	25	41	110	70	145	15	40	50	50.80	51	17	88.0	114.0	1.100
SI 35 T/KFG	35	M36×2.0	43	28	50	125	81	165.5	17	46	58	57.10	58	16	·	·	1.600
SI 40 T/KFG	40	M42×2.0	49	33	55	142	91	187.5	19	53	65	66.60	62	17	·	·	2.400
SI 50 T/KFG	50	M48×2.0	60	45	65	160	117	218.5	23	65	75	82.50	67	12	·	·	5.000
SI30T/KM27X2	30	M27×2.0	37	25	41	110	70	145	15	40	50	50.80	51	17	88.0	114.0	1.100

- 若是左旋螺纹, 则在型号后面, 数字前面加L. 如SIL 8T/K.  
- 若是细牙螺纹, 则在型号后面加FG. 如SI8T/KFG.  
- 产品默认锻件, 可选用车件.

**材料和表面处理方式:**

- 杆端体: 中碳钢45, 表面镀锌处理; 钢球: 轴承钢GCr15, 不电镀; 内圈为黄铜H62; 带PTFE.  
- 杆端体: 可选用不锈钢304, 不锈钢303, 不锈钢316, 表面钝化处理; 钢球: 可选用轴承钢GCr15硬铬或者用440C不锈钢. 内圈: 可选用低碳钢20或者不锈钢304.

- For left-hand thread, please add suffix "L", e.g. SIL 8T/K.  
- For fine-pitch thread, please add suffix "FG", e.g. SI8T/KFG.  
- General with forging part, also turn part is optional.

**Material and surface treatments:**

- Body: medium carbon steel 45, zinc plating; Steel ball: bearing steel GCr15 without chromium plating; Inner ring: brass H62, with PTFE;  
- Body: stainless steel 304, stainless steel 303 or stainless steel 316 is optional with surface passivation.  
Steel ball: alternative bearing steel GCr15 with hard chrome plating or stainless steel 440C; Inner ring: alternative low carbon steel 20 or stainless steel 304.

۳/۸



**Shanghai Yinin Bearing and Transmission Compar**

Address.:9F05,NO.2123,PuDong AVE,Shanghai,200135,P.R.China

Tel: +86 21 68551627 Fax: +86 21 68551629

E-mail:Alex@Ybearing.com http://www.ybearing.com/



PI. No.: 20220905

Customer PO.:

Date of PI: 5th-Sep,2022

Date of expiry: 5th-Sep.,2023

**Proforma Invoice**

To: SHERKAT TOLID LAVAZEM MADAR PNEUMATIC AND HYDROULIC BADRAN  
 Add:No.105,Forsate Shirazi St.,North Eskandari St., Tehran 1419794761 IRAN  
 TEL:(+98 21)66 92 21 70  
 FAX:(+98 21)66 92 90 04

Buyer commercial card number: **10101026287**

From: Shanghai

To:Bandar Abbas

Payment term: 100% advance payment by T/T

Vessel: by sea

Shipping Mark	Type	Qty(pcs)	Price( EUR,FOB Shanghai)	Amount(EUR)	Brand	Package
Description of goods: Rod ends for pneumatic cylinders  BPC-YNN NO.1-UP	SI6 T/K	600	0.515	309.00	YNN	Industrial package
	SI8 T/K	400	0.567	226.80	YNN	Industrial package
	SI10-1 T/K	600	0.689	413.40	YNN	Industrial package
	SI30-1 T/K	300	6.650	1995.00	YNN	Industrial package
	SI35 T/K	300	16.625	4987.50	YNN	Industrial package
	SI50 T/K	40	50.000	2000.00	YNN	Industrial package
	GE5E	30	0.372	11.16	YNN	Industrial package
	GE6E	40	0.388	15.52	YNN	Industrial package
	GE8E	40	0.409	16.36	YNN	Industrial package
	GE10E	40	0.42	16.80	YNN	Industrial package
	GE12E	40	0.440	17.60	YNN	Industrial package
	GE15ES-2RS	20	0.61	12.20	YNN	Industrial package
	GE20ES-2RS	100	0.657	65.70	YNN	Industrial package
	GE25ES-2RS	100	0.926	92.60	YNN	Industrial package
	GE30ES-2RS	80	0.979	78.32	YNN	Industrial package

E/E

<b>Bushings(Bushes) for pneumatic cylinders</b>  <b>BPC-YNN NO.1-UP</b>	GE35ES-2RS	60	1.338	80.28	YNN	Industrial package
	GE40ES-2RS	60	1.583	94.98	YNN	Industrial package
	PAP.P10(14x12x6)	6000	0.035	210.00	YNN	Industrial package
	PAP.P10(18x16x8)	3000	0.038	114.00	YNN	Industrial package
	PAP.P10(18x16x10)	12000	0.04	480.00	YNN	Industrial package
	PAP.P10(18x16x20)	4000	0.068	272.00	YNN	Industrial package
	PAP.P10(23x20x12)	12000	0.054	648.00	YNN	Industrial package
	PAP.P10(23x20x25)	20000	0.111	2220.00	YNN	Industrial package
	PAP.P10(36x32x30)	3000	0.220	660.00	YNN	Industrial package
	PAP.P10(44x40x40)	3000	0.357	1071.00	YNN	Industrial package
	PAP.P10(44x40x50)	6000	0.446	2676.00	YNN	Industrial package
	PAP.P10(55x50x30)	400	0.351	140.40	YNN	Industrial package
	PAP.P10(55x50x40)	300	0.468	140.40	YNN	Industrial package
	PAP.P10(55x50x50)	400	0.585	234.00	YNN	Industrial package
		<b>TOTAL:</b>	<b>72950</b>		<b>19299.02</b>	

**Sea freight shipping cost: Euro 850**

**Total CFR: Euro 20149.02**

Please make the payment to:

Company's name: Shanghai YININ Bearing and Transmission Company

Company's address: 9F05, NO.2123, PuDong AVE, PUDONG, SHANGHAI, 200135, P.R.China.

Bank: BANK OF CHINA, SHANGHAI BRANCH, NANHUI SUB-BR

Account NO.(EURO): 453372600709

SWIFT CODE: BKCHCNBJ300

**Term: CFR Bandar Abbas**

**Standard: PAP-ISO 9001-2000**

**Country of origin: China**

**Total net weight: 2824 Kgs**

**Total gross weight: 2924 Kgs**

**Partial shipment is allowed**